

8MP WDR (Motorized)VF Vandal-resistant Network IR Fixed Dome Camera

IPC3238SR3-DVPZ



Key Features

Optics

- Day/night functionality
- Smart IR, up to 30m (98 ft) IR distance
- Up to 120 dB Optical WDR(Wide Dynamic Range)
- 2D/3D DNR (Digital Noise Reduction)

Compression

- Ultra 265, H.264, MJPEG
- Embedded smart algorithm
- Triple streams
- ROI (Region of Interest)
- 9:16 corridor mode

Network

- ONVIF Conformance

Structure

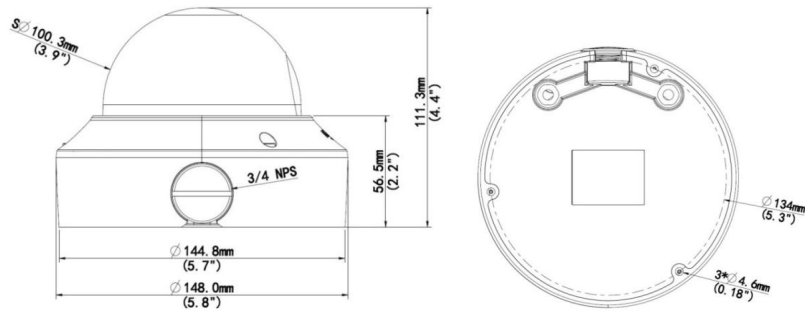
- Support PoE power supply
- Built-in PoE splitter that outputs DC 12V
- Wide temperature range: -40°C to 60°C (-40°F to 140°F)
- Wide voltage range of ±25%
- IK10 vandal resistant
- IP67
- 3-Axis

Specifications

| IPC3238SR3-DVPZ | | | | | | | | | | | | | | | | |
|--------------------|------------------------------------------------------------------------------------------------------------------------------------------------------------------------------------------------------------------------------------------------------------------------------------------------------------------------------------|-----------------|--------------|-----------------|--------------|-------------|-------|----|------|------|-----|------|-----|-----|----|----|
| Camera | | | | | | | | | | | | | | | | |
| Sensor | 1/2", progressive scan ,8.0 megapixel, CMOS | | | | | | | | | | | | | | | |
| Lens | 2.8~12mm, AF automatic focusing and motorized zoom lens | | | | | | | | | | | | | | | |
| DORI Distance | <table border="1"> <thead> <tr> <th>Lens</th> <th>Detect(m)</th> <th>Observe(m)</th> <th>Recognize(m)</th> <th>Identify(m)</th> </tr> </thead> <tbody> <tr> <td>2.8mm</td> <td>63</td> <td>25.2</td> <td>12.6</td> <td>6.3</td> </tr> <tr> <td>12mm</td> <td>270</td> <td>108</td> <td>54</td> <td>27</td> </tr> </tbody> </table> | Lens | Detect(m) | Observe(m) | Recognize(m) | Identify(m) | 2.8mm | 63 | 25.2 | 12.6 | 6.3 | 12mm | 270 | 108 | 54 | 27 |
| | Lens | Detect(m) | Observe(m) | Recognize(m) | Identify(m) | | | | | | | | | | | |
| | 2.8mm | 63 | 25.2 | 12.6 | 6.3 | | | | | | | | | | | |
| 12mm | 270 | 108 | 54 | 27 | | | | | | | | | | | | |
| Angle of View (H) | 114.8° ~ 47.3° | | | | | | | | | | | | | | | |
| Angle of View (V) | 75.3°~20.4° | | | | | | | | | | | | | | | |
| Angle of View (O) | 141.2°~55.8° | | | | | | | | | | | | | | | |
| Adjustment angle | <table border="1"> <thead> <tr> <th>Pan: 0°~360°</th> <th>Tilt: 0°~80°</th> <th>Rotate: 0°~360°</th> </tr> </thead> <tbody> <tr> <td></td> <td></td> <td></td> </tr> </tbody> </table> | Pan: 0°~360° | Tilt: 0°~80° | Rotate: 0°~360° | | | | | | | | | | | | |
| Pan: 0°~360° | Tilt: 0°~80° | Rotate: 0°~360° | | | | | | | | | | | | | | |
| | | | | | | | | | | | | | | | | |
| Shutter | Auto/Manual, 1~1/100000 s | | | | | | | | | | | | | | | |
| Min. Illumination | Colour: 0.003 Lux (F1.5, AGC ON) 0Lux with IR | | | | | | | | | | | | | | | |
| IR Range | Up to 30m (98 ft) IR range | | | | | | | | | | | | | | | |
| Day/Night | IR-cut filter with auto switch (ICR) | | | | | | | | | | | | | | | |
| S/N | >52dB | | | | | | | | | | | | | | | |
| Defog | Digital Defog | | | | | | | | | | | | | | | |
| WDR | 120dB | | | | | | | | | | | | | | | |
| Video | | | | | | | | | | | | | | | | |
| Video Compression | Ultra 265, H.264,MJPEG | | | | | | | | | | | | | | | |
| Frame Rate | Main Stream: 8MP (3840*2160): Max. 15 fps;5MP(2592*1944) : Max. 30fps; 5MP(2944*1656) : Max. 30fps; 4MP(2560*1440) : Max. 30fps;2MP (1920*1080): Max. 30fps Sub Stream: 2MP (1920*1080): Max. 30fps Third Stream: D1 (720*576): Max. 30 fps | | | | | | | | | | | | | | | |
| 9:16 Corridor Mode | Supported | | | | | | | | | | | | | | | |
| BLC | Supported | | | | | | | | | | | | | | | |
| HLC | Supported | | | | | | | | | | | | | | | |
| ROI | Up to 8 OSDs | | | | | | | | | | | | | | | |
| OSD | Up to 8 areas | | | | | | | | | | | | | | | |
| Privacy Mask | Up to 8 areas | | | | | | | | | | | | | | | |

| | |
|----------------------------|------------------------------------------------------------------------------------------------------------------------------------------------------|
| Motion Detection | Up to 4 areas |
| Smart | |
| Behavior Detection | Intrusion, cross line, motion detection |
| Intrusion | Enter and loiter in a pre-defined virtual region |
| cross line | Cross a pre-defined virtual line |
| motion detection | Moving within a pre-defined virtual region |
| Recognition | Face detection、Audio detection |
| Intelligent Identification | Defocus, Scene Change |
| Statistical Analysis | People counting |
| General Function | Watermark, IP Address Filtering, Tampering Alarm, Alarm input, Alarm output, Access Policy, ARP Protection, RTSP Authentication, User Authentication |
| Audio | |
| Audio Compression | G.711 |
| Two-way audio | Supported |
| Suppression | Supported |
| Sampling Rate | 8 KHZ |
| Storage | |
| Edge Storage | Micro SD, up to 256GB |
| Network Storage | ANR |
| Network | |
| Protocols | IPv4, IGMP, ICMP, ARP, TCP, UDP, DHCP, PPPoE, RTP, RTSP, RTCP, DNS, DDNS, NTP, FTP, UPnP, HTTP, HTTPS, SMTP, 802.1x, SNMP |
| Compatible Integration | ONVIF(Profile S, Profile G, Profile T), API |
| Interface | |
| Audio I/O | Audio cable |
| | Input: impedance 35 kΩ; amplitude 2 V [p-p] |
| | Output: impedance 600 Ω; amplitude 2 V [p-p] |
| Alarm I/O | 1/ 1 |
| Network | 1 RJ45 10M/100M Base-TX Ethernet |
| Video Output | 1 BNC, impedance 75 Ω; amplitude 1 V [p-p] |
| General | |
| Power | 12 V DC±25%, PoE (IEEE802.3 af) |
| | Power consumption: Max.8 W |
| Dimensions (∅ x H) | ∅148 x 111.3 mm (∅5.8" x 4.4") |
| Weight | 0.92 kg (2.0 lb) |
| Working Environment | -40°C ~ +60°C (-40°F ~ 140°F), Humidity:10%~95% RH(non-condensing) |
| Reset Button | Supported |
| Ingress Protection | IP67 |
| Vandal Resistant | IK10 |

Dimensions



Zhejiang Uniview Technologies Co., Ltd.

Building No.10, Wanlun Science Park, Jiangling Road 88, Binjiang District, Hangzhou, Zhejiang, China (310051)

Email: overseasbusiness@uniview.com; globalsupport@uniview.com

<http://www.uniview.com>

©2018 Zhejiang Uniview Technologies Co., Ltd. All rights reserved.

*Product specifications and availability are subject to change without notice.